

AP230W INDOOR ACCESS POINT

2x2:2 OFDMA, 802.11ax support

One 1 Gigabit Ethernet port for uplink, four 1 Gigabit Ethernet ports for extension, PoE+ power



WatchGuard's wall plate Wi-Fi 6 access point is the ideal choice for low- to medium-density indoor environments like hospitality, classrooms, multi-unit dwellings, and conference rooms to utilize secure WPA3 encryption for a seamless Wi-Fi 6 end user experience.

PERFECT FOR CONFINED ENVIRONMENTS AND NETWORK EXPANSION

The AP230W enables support for confined spaces with lightning fast speed. Designed for indoor wall mount deployments, the AP230W delivers superior Wi-Fi 6 performance across distributed environments and is ideal for building easily scalable networks.

CLOUD-BASED MANAGEMENT

You can manage the AP230W with WatchGuard Cloud.

WatchGuard Cloud delivers simplified Wi-Fi management to easily deploy, configure, and report on one unified platform for security. It eliminates the need for any physical or virtual infrastructure requirements, with multi-tier and multi-tenant capabilities through a centralized WatchGuard Cloud management platform.

WatchGuard Cloud environments easily scale from one to an unlimited number of access points across multiple locations. Access points can be grouped in many ways including location, building, floor, customers, and remote users to maintain consistent policies across a distributed network.


CROSS-PLATFORM BENEFITS

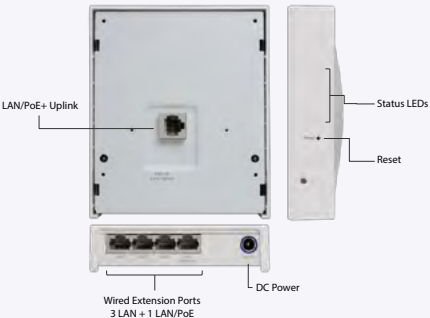
- Simple VPN connectivity to a Firebox managed in WatchGuard Cloud.
- Multi-tier and multi-tenant capabilities through a centralized WatchGuard Cloud management platform with enhanced activation and intelligent inventory management.
- Captive Portal creation with custom corporate branding such as company logos, background, and thumbnail image.
- Enterprise authentication delivered through easily managed WatchGuard Cloud authentication domains.
- Centralized management of WatchGuard's product portfolio such as AuthPoint, Firebox appliances, and endpoint solutions.

FEATURES & BENEFITS

- Wi-Fi 6 and WPA3 encryption
- Includes a 2x2 radio optimized for Wi-Fi 6 with three internal antennas
- A dual-band scanning radio for airspace monitoring
- Maximum Tx power delivers 23 dBm and a 3 dBi antenna gain
- Five 1 Gbps ports supporting one interface for uplink with PoE+ and four interfaces for wired extension
- Max Data rate up to 1.2 Gbps on the 5 GHz band
- Max Data rate up to 574 Mbps available on the 2.4 GHz band
- Qualcomm(R) Cypress IPQ6010 Quad-core A53 ARM process at 1.8 GHz with 1 GB RAM and 256 MB Flash

PHYSICAL SPECIFICATIONS

	Property	Specification
	Physical Dimensions	110 mm x 130 mm x 34.2 mm (4.33 in x 5.12 in x 1.34 in)
	Weight	384 g (0.847 lbs)
	Operating Temperature	0°C to 40°C (32°F to 104°F)
	Storage Temperature	-20 C to 70 C (-4 F to 158 F)
	Humidity	5% to 95% non-condensing
	Power Consumption	20.19 W (max) w/ 802.3af Class 2 PSE 13.19 W (max) / 10.5 W (avg) w/o PSE
	Processor RAM	Qualcomm IPQ6010 Quad-Core CPU ARM Cortex A53 1.8GHz with Flash: SPI 8MB, NAND: 256MB, RAM: DDR4 1GB

	Port	Description	Connector Type	Speed/Protocol
	Power	54V DC/802.3af (PoE+) with PSE output support	3.5 mm overall diameter/ 1.35 mm center pin/hole	N/A
	Reset	Reset to factory default settings	Pin hole push button	Hold down for more than 10 seconds to reset the AP; Hold down for less than 5 seconds to reboot
	Extension	4 1 Gbps ports for wired extension	RJ-45	1 Gbps Ethernet; One marked port supports 802.3af Class 4 PoE+
	LAN / PoE+	1 Gbps Ethernet port used to connect to the wired LAN and communicate with WatchGuard Cloud. This port can also be used to power the device using the 802.3af (PoE+) standard.	RJ-45	1 Gbps Ethernet 802.3af Class 4 PoE+

WI-FI SPECIFICATIONS – Frequency, Modulation, and Data Rates

IEEE 802.11b/g/n/ax		
	Transmission	
Frequency Band	USA & Canada (FCC/IC)	Europe (ETSI)
	2400 ~ 2473.5 MHz	2400 ~ 2483.5 MHz
Modulation Type	DSSS, OFDM, OFDMA	
Peak Data Rates	Up to 574 Mbps (MCS 0- 15)	
Antenna	Integrated modular high-efficiency PIFA antenna x2, monopole antenna x1	
Maximum Transmit Power	Up to 23 dBm and a 3.0 dBi antenna gain	
IEEE 802.11a/n/ac/ax		
	Transmission	
Frequency Band	USA & Canada (FCC/IC)	Europe (ETSI)
	5.15 ~ 5.25 GHz 5.25 ~ 5.35 GHz 5.725 ~ 5.825 GHz	5.15 ~ 5.25 GHz 5.25 ~ 5.35 GHz 5.47 ~ 5.725 GHz
Dynamic Frequency Selection	DFS and DFS2	
Modulation Type	OFDM, OFDMA	
Peak Data Rates	Up to 1201 Mbps (MCS 0-15)	
Antenna	Integrated modular high-efficiency PIFA antenna x2, monopole antenna x1	
Maximum Transmit Power	Up to 21 dBm and a 3.0 dBi antenna gain	

Physical Specifications	
Antenna	Internal PIFA 2.4 GHz: 2x (3 dBi peak gain) 5 GHz: 2x (3 dBi peak gain) Internal Monopole Dual-band scanning radio (3 dBi peak gain)
Ethernet Ports	One 1 Gigabit Ethernet port with RJ45 connector for uplink and PoE+ in. Four 1 Gigabit Ethernet ports with RJ45 connector for wired extension. LAN4 can provide 802.3af PSE when powered by 802.3at or DC adapter.

OPERATIONAL SPECIFICATIONS	
Reset	Pinhole push button
Input Power	54V DC/1.2 A (3.5 mm overall diameter/1.35 mm center pin/hole)/802.3at (PoE+)
Number of Radios	3 Wi-Fi Radios: One 2.4 GHz and 5 GHz radio each for simultaneous dual-band client access. One dual-band radio for scanning and airspace monitoring. .
MIMO	2x2 for 2.4/5 GHz Radios
Number of Spatial Streams	2 for 2.4/5 GHz Radios
RF Transmit Power	18 dBm per radio chain (max); Actual power for Tx will depend on Country Regulatory Domain
Simultaneous MU-MIMO Clients	Two 1x1 clients per radio
Users in a MU-MIMO group with a 2x2 client	1
Bandwidth Agility	Yes
Dynamic Frequency Selection	Supported in compliance to all latest amendments from FCC, CE, IC, CB, TELEC, KCC regarding certifications.

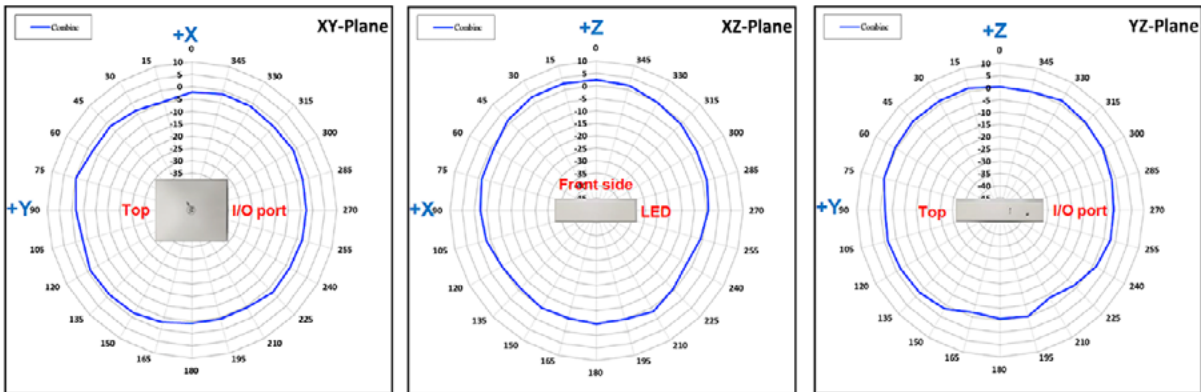
Note:

The actual transmit power will be the lowest of:

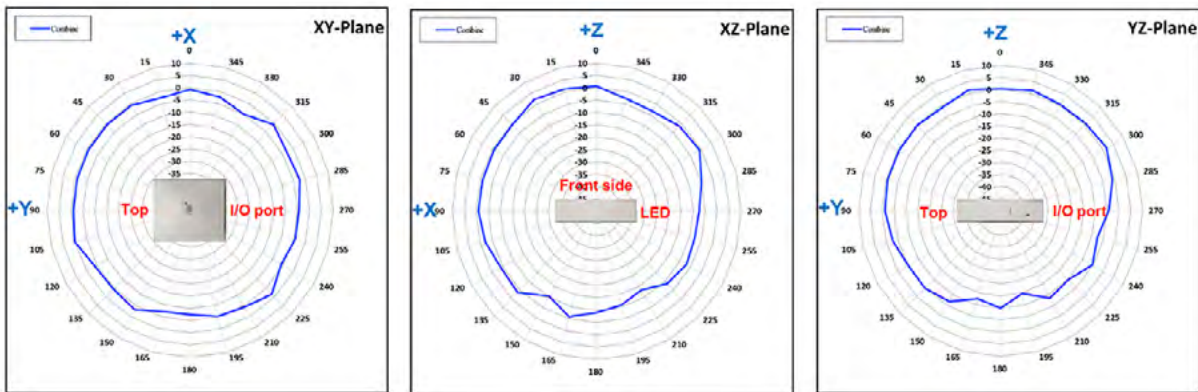
- Value specified in the Radio Settings
- Maximum value allowed in the regulatory domain
- Maximum power supported by the radio

INTERNAL ANTENNA RADIATION PATTERNS

2.4 GHz Antenna



5 GHz Antenna



REGULATORY SPECIFICATIONS

RF AND ELECTROMAGNETIC	
Country	Certification
USA	FCC Part 15.247, 15.407
Canada	IC
Europe	CE EN300.328, EN301.893 Countries covered under Europe certification: Austria, Belgium, Cyprus, Denmark, Estonia, Finland, France, Germany, Greece, Hungary, Ireland, Italy, Iceland, Luxembourg, Latvia, Lithuania, Malta, Netherlands, Norway, Poland, Portugal, Spain, Sweden, Slovakia, Slovenia, Switzerland, The Czech Republic, and the UK.

SAFETY	
Country	Certification
USA	UL
Canada	cUL
Europe Union (EU)	EN, RoHS



WI-FI WITH WATCHGUARD - WE'VE GOT YOU COVERED!

From indoor remote workspaces or a small office to rugged, expansive outdoor environments – WatchGuard has a range of Wi-Fi 6 access points to fit every wireless need. WatchGuard's Wi-Fi management license options enable capabilities that support the business needs being faced today and offer the flexibility to evolve alongside the wireless needs of tomorrow.

MANAGEMENT LICENSE OPTIONS		
FEATURE DESCRIPTION	STANDARD WI-FI	UNIFIED SECURITY PLATFORM® WI-FI
Native WatchGuard Cloud Management Features	✓	✓
24/7 Support and Hardware Warranty	✓	✓
Inventory Management	✓	✓
SSH/CLI Access	✓	✓
Configuration of Radio Settings	✓	✓
Configuration of SSID	✓	✓
Configuration of Device Settings	✓	✓
Firmware Updated	✓	✓
24-Hour Reporting/Visibility	✓	✓
Live Status Visibility	✓	✓
WatchGuard Cloud API Integration for PSA	✓	✓
AP Site Templating	✓	✓
Captive Portal	✓	✓
Network Access Enforcement		✓
Syslog Server Output		✓
IKEv2 VPN Features (RAP)		✓
30-Day Reporting/Visibility		✓
Future WatchGuard Portfolio Integrations		✓
Future Security and Wi-Fi Features*		✓

* Features included in the Unified Security Platform license will be determined by WatchGuard. Some features may require additional products from WatchGuard to work.

About WatchGuard Technologies, Inc.

WatchGuard® Technologies, Inc. is a global leader in unified cybersecurity. Our Unified Security Platform® is uniquely designed for managed service providers to deliver world-class security that increases their business scale and velocity while also improving operational efficiency. Trusted by more than 17,000 security resellers and service providers to protect more than 250,000 customers, the company's award-winning products and services span network security and intelligence, advanced endpoint protection, multi-factor authentication, and secure Wi-Fi. Together, they offer five critical elements of a security platform: comprehensive security, shared knowledge, clarity & control, operational alignment, and automation. The company is headquartered in Seattle, Washington, with offices throughout North America, Europe, Asia Pacific, and Latin America. To learn more, visit WatchGuard.com.

AP230W



For additional details, talk to your authorized WatchGuard reseller or visit

www.watchguard.com/wifi.